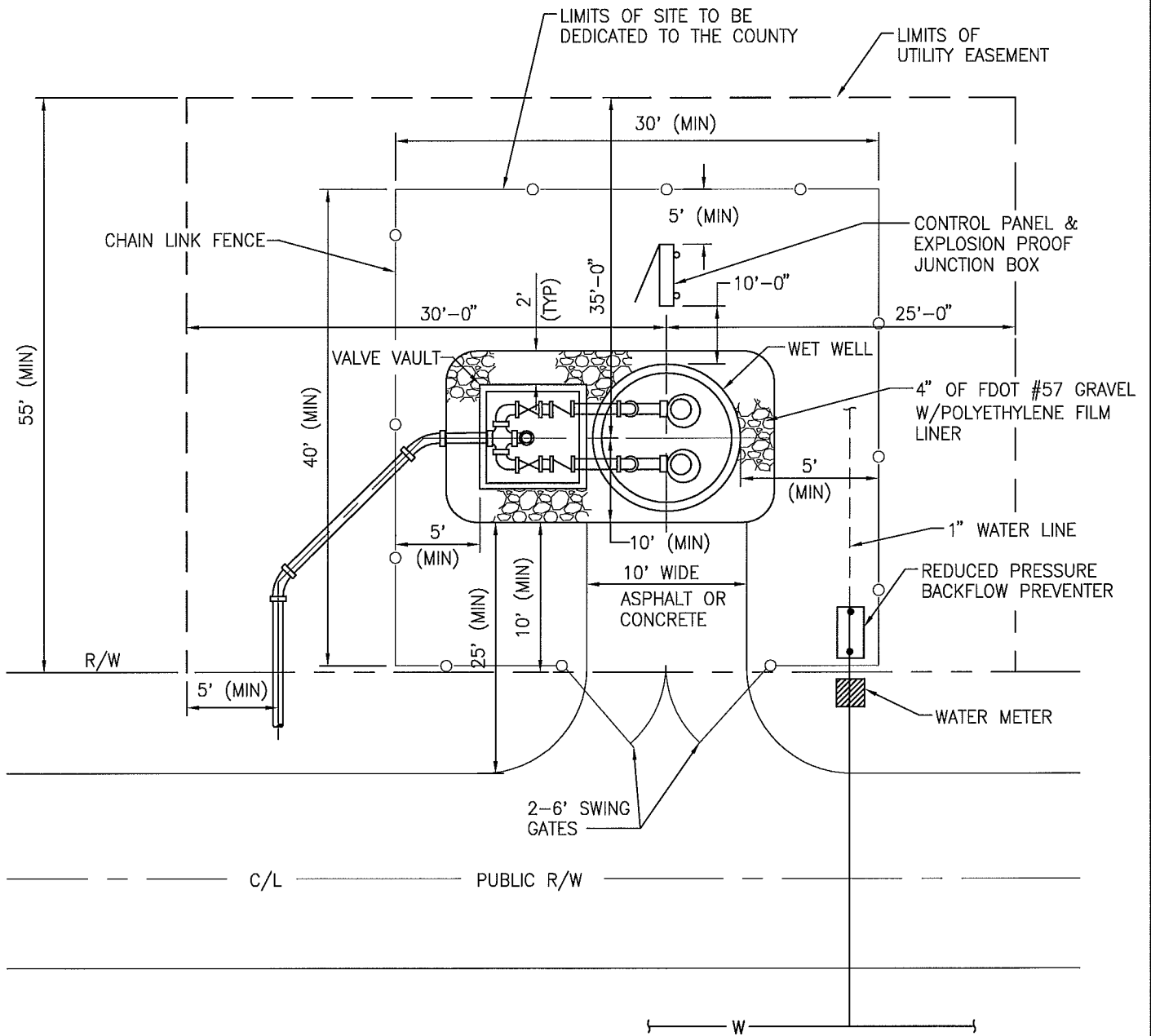


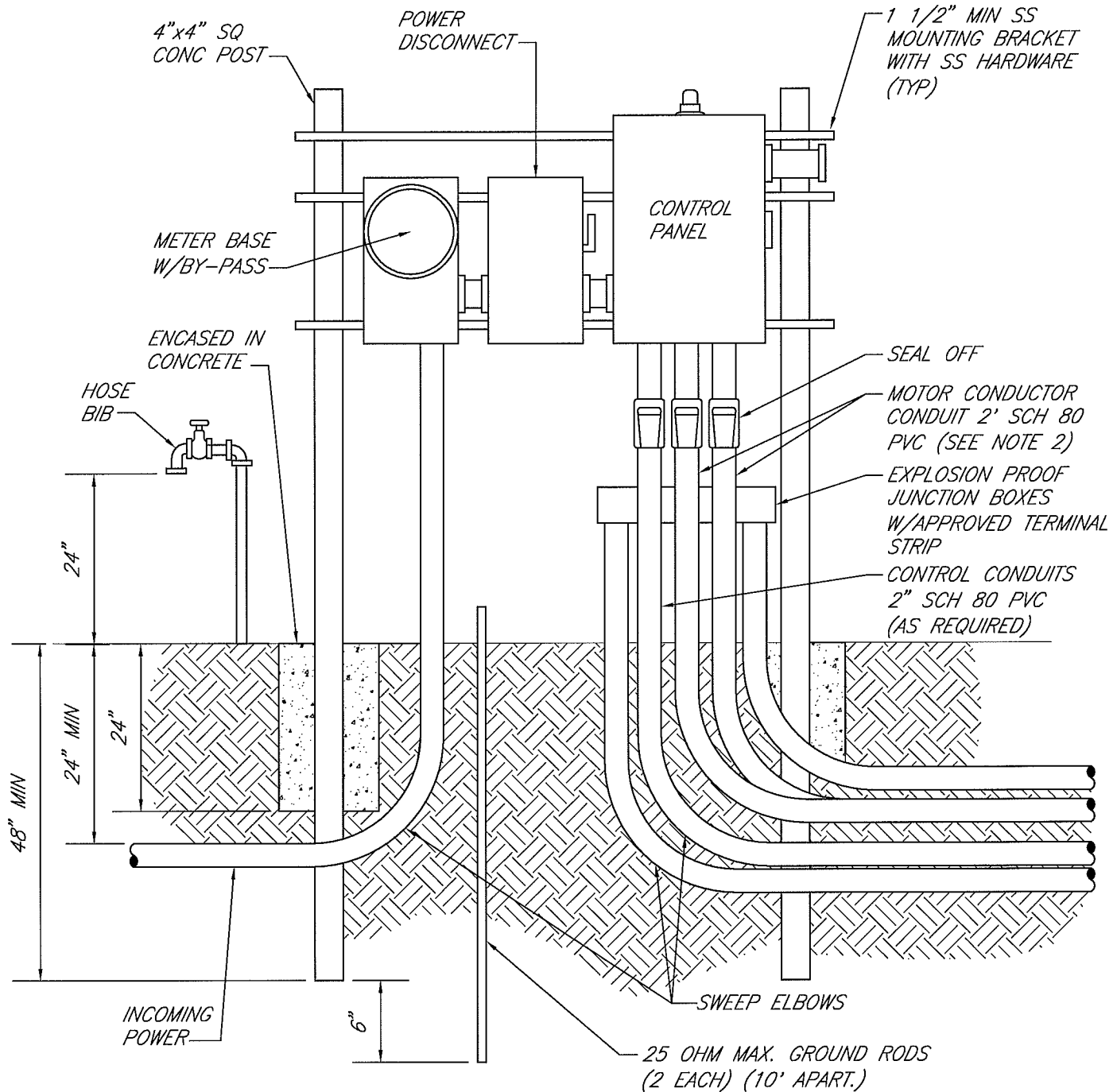
APPENDIX D
PUMP STATION CONSTRUCTION DETAILS

PUMP STATION CONSTRUCTION DETAILS
INDEX

<u>Number</u>	<u>Title</u>
PS-1	Pump Station Site Plan
PS-2	Pump Station Details, Plans, Section and Notes
PS-3	Pump Station Control Panel Installation Detail
PS-4	Duplex Control Panel Enclosure Dead Front Layout
PS-5	Duplex Control Panel Enclosure Subpanel Layout
PS-6	Pump Station Control Panel Legend
PS-7	Chainlink Fence Detail



PS-1
PUMP STATION SITE PLAN



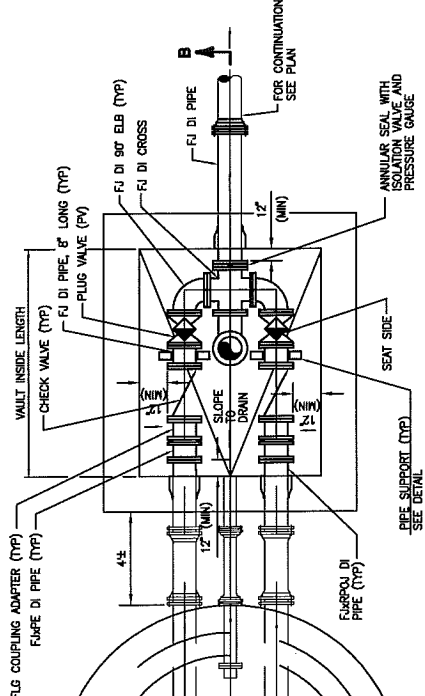
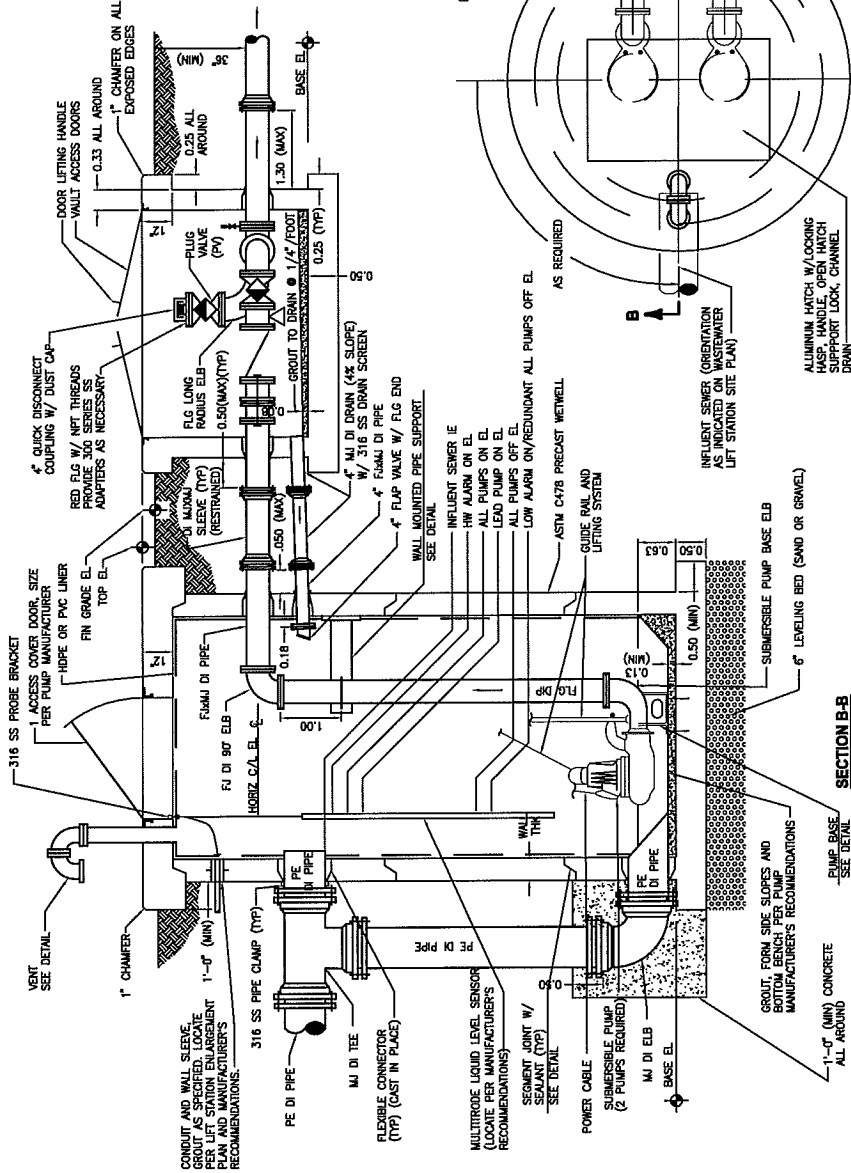
NOTES:

1. DRAWING IS SHOWN FOR 230 VOLT POWER SUPPLY. THE LOCATION OF METER & MAIN POWER DISCONNECT SHALL BE REVERSED FOR 480 VOLT SUPPLY.
2. WHEN TWO (2) SEPARATE CONDUCTOR-TYPE MOTORS ARE USED, CONDUIT SHALL BE INCREASED TO 3".
3. POWER SUPPLY SHALL BE UNDERGROUND ON THE LIFT STATION SITE & SHALL BE 3 PHASE FROM A 3 PHASE SOURCE ONLY.
4. EACH CONTROL FLOAT SHALL BE PLACED IN A SEPARATE 2" SCHEDULE 80 PVC CONDUIT.
5. THE OPENING PLATE OF THE EXPLOSION-PROOF JUNCTION BOXES SHALL NOT EXCEED 50 POUNDS (WEIGHT).

**PS-3
PUMP STATION CONTROL PANEL
INSTALLATION DETAIL**

LIFT STATION NOTES

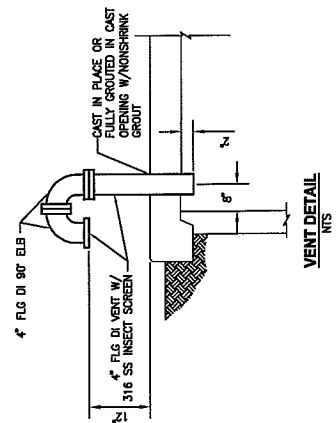
1. PUMP PLACEMENT SHALL BE PER MANUFACTURER'S RECOMMENDATIONS.
2. CONTRACTOR SHALL VERIFY PUMP MANUFACTURER'S REQUIREMENTS FOR OPENING FOR CAST-IN PLACE ACCESS COVER FRAME. CONTRACTOR SHALL VERIFY PUMP DIMENSIONS FOR OPENING CLEARANCE.
3. PAINT INSIDE OF WET WELL WITH COAL TAR EPOXY PER SPECIFICATION.
4. ALL ALUMINUM SURFACES IN CONTACT WITH CONCRETE SHALL BE PAINTED PER SPECIFICATIONS.
5. GUIDE RAIL SHALL BE 300 SERIES SS, SIZE PER PUMP MANUFACTURER'S RECOMMENDATION.
6. LOW ALARM ON / REDUNDANT ALL PUMPS OFF LEVEL TO BE SET SO THAT SUBMERSIBLE PUMP MOTOR IS TOTALLY SUBMERGED BY 3" (MIN).
7. PROVIDE SPARK-PROOF CONTACT BETWEEN PUMPS AND GUIDE RAIL SYSTEM.
8. ALL HARDWARE (BOLTS, NUTS, WASHERS, ETC.) USED IN THE WETWELL AND VALVE VAULT SHALL BE 300 SERIES SS.
9. MINIMUM DISTANCE BETWEEN ALL PUMP CONTROL SETTINGS SHALL BE 6".



NOTE:
RESTRAIN ALL FLANGED COUPLING ADAPTERS WITH SPECIFIED TIE RODS RESTRAINT SYSTEM.

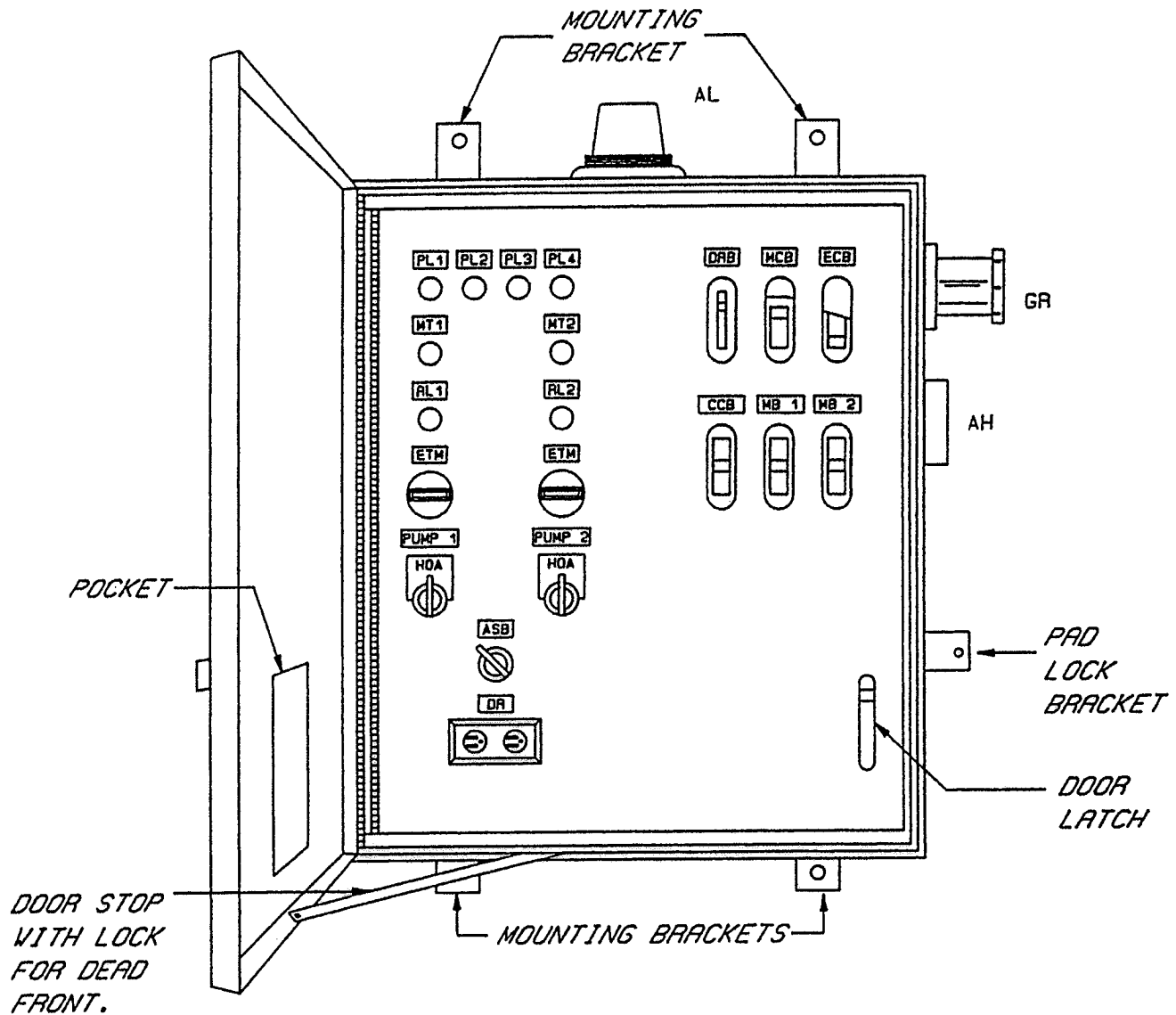
PLAN

PS-2
PUMP STATION DETAILS,
PLANS, SECTION AND NOTES



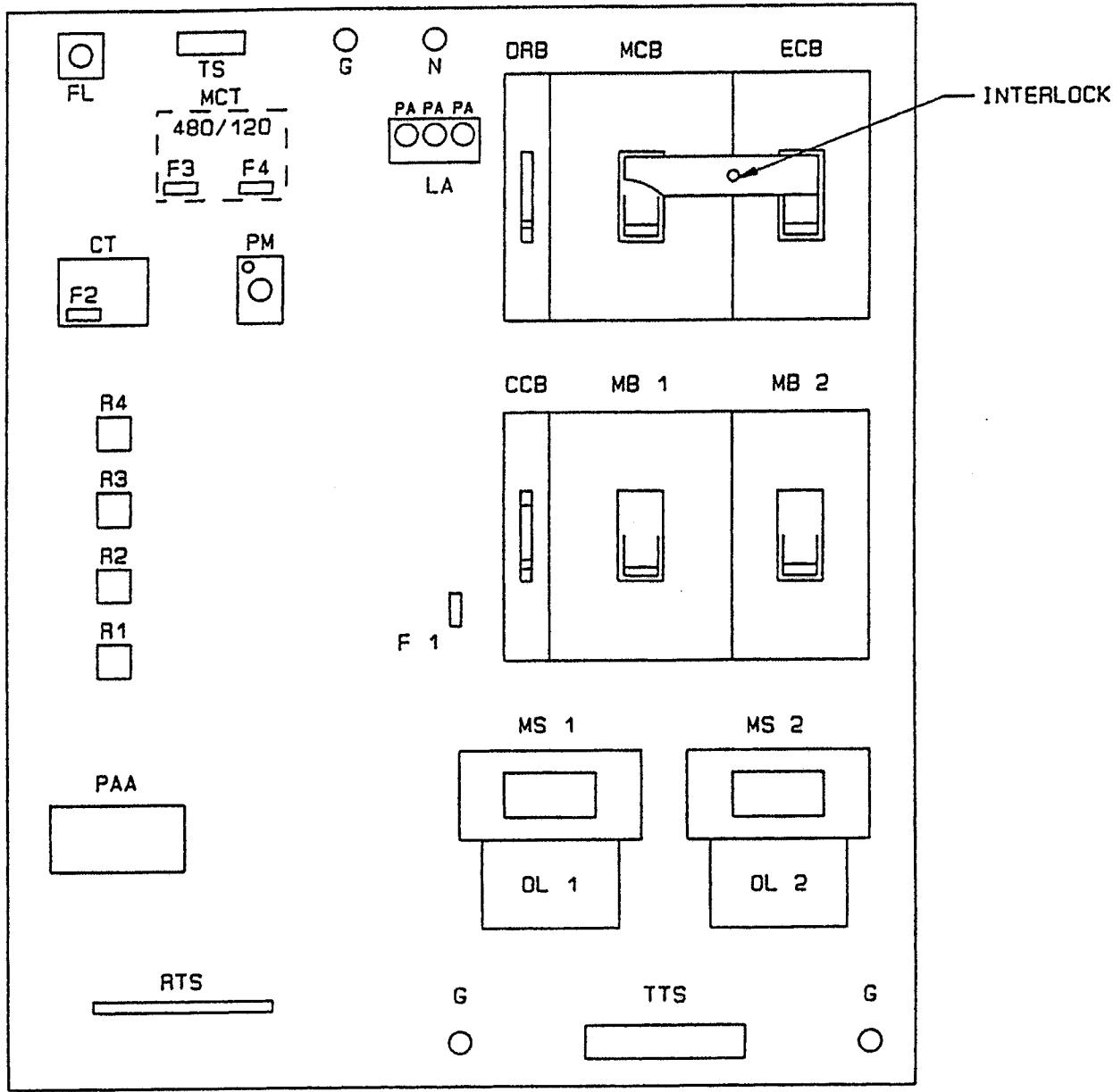
VENT DETAIL
NTS

SECTION B-B
NTS



- NOTES:**
1. OUTER BOX SIZE SHALL BE NEMA 3R SS AND A MINIMUM OF 24"W x 36"H x 10"D OR AS APPROVED BY THE COUNTY
 2. FOR STATIONS WITH PUMPS RATED 20 HP OR GREATER, OUTER BOX SIZE SHALL BE 30"W x 42"H x 10"D AND SHALL HAVE 2 LATCHES ON THE DEAD FRONT.
 3. DRAWINGS SHALL BE REVISED FOR STATIONS WITH PUMPS RATED GREATER THAN 47 HP AND SUBMITTED TO THE COUNTY FOR APPROVAL.

**PS-4
 DUPLEX CONTROL PANEL ENCLOSURE
 DEAD FRONT LAYOUT**



NOTES: 1. MAIN CIRCUIT TRANSFORMER REQUIRED FOR 480 VOLT SUPPLY ONLY.

PS-5
DUPLEX CONTROL PANEL ENCLOSURE
SUBPANEL LAYOUT

Plotdate: 11/01/06 1:04pm DPAIR

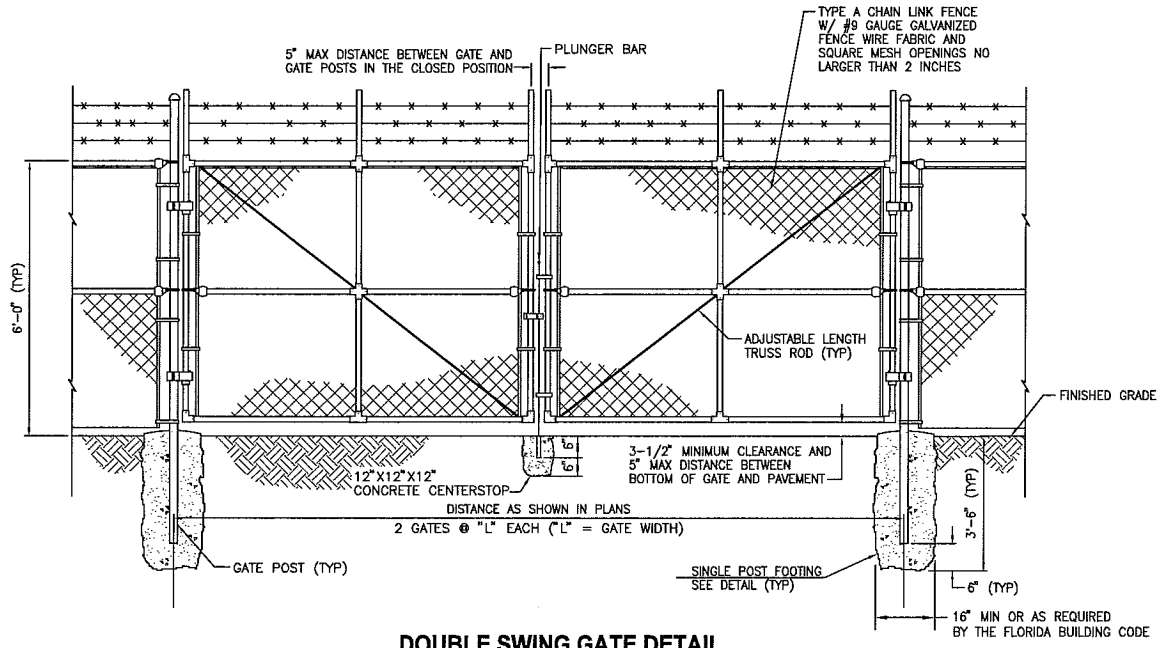
<i>ABBREV.</i>	<i>ITEM DESCRIPTION</i>
<i>AH</i>	<i>ALARM HORN</i>
<i>AL</i>	<i>ALARM LIGHT</i>
<i>ASB</i>	<i>ALTERNATOR TEST SWITCH</i>
<i>CCB</i>	<i>CONTROL CIRCUIT BREAKER</i>
<i>CCT</i>	<i>CONTROL CIRCUIT TRANSFORMER</i>
<i>DR</i>	<i>DUPLEX RECEPTACLE / G.F.I. (30-AMP)</i>
<i>DAB</i>	<i>DUPLEX RECEPTACLE BREAKER</i>
<i>ECB</i>	<i>EMERGENCY CIRCUIT BREAKER</i>
<i>ETM</i>	<i>ELAPSE TIME METER</i>
<i>F</i>	<i>FUSE</i>
<i>FL</i>	<i>FLASHER</i>
<i>FR</i>	<i>FLOAT REGULATOR</i>
<i>G</i>	<i>GROUND</i>
<i>GA</i>	<i>GENERATOR RECEPTACLE</i>
<i>HOA</i>	<i>HAND-OFF-AUTO-SELECTOR</i>
<i>HSS</i>	<i>HORN SILENCE SWITCH</i>
<i>LA</i>	<i>LIGHTNING ARRESTER</i>
<i>MB</i>	<i>MOTOR BREAKER</i>
<i>MCB</i>	<i>MAIN CIRCUIT BREAKER</i>
<i>MCT</i>	<i>MAIN CIRCUIT TRANSFORMER</i>
<i>MT</i>	<i>MOISTURE AND TEMPERATURE FAILURE LIGHT</i>
<i>MS</i>	<i>MOTOR STARTER</i>
<i>N</i>	<i>NEUTRAL</i>
<i>OL</i>	<i>OVERLOAD HEATER</i>
<i>PA</i>	<i>POWER AVAILABLE LIGHT (3 REQUIRED, 1 EACH PHASE)</i>
<i>PAA</i>	<i>PUMP AUTOMATIC ALTERNATOR</i>
<i>PL</i>	<i>PILOT LIGHT</i>
<i>PM</i>	<i>PHASE MONITOR</i>
<i>R</i>	<i>RELAY</i>
<i>RE</i>	<i>RESISTOR</i>
<i>RL</i>	<i>RUN INDICATOR</i>
<i>RTS</i>	<i>REGULATOR TERMINAL STRIP</i>
<i>TS</i>	<i>TERMINAL STRIP</i>
<i>TTS</i>	<i>THERMAL TERMINAL STRIP</i>

N:\16810 Putman Co\12501\Figures\Pump Station\1681012501-PS06.dwg

NOTE:

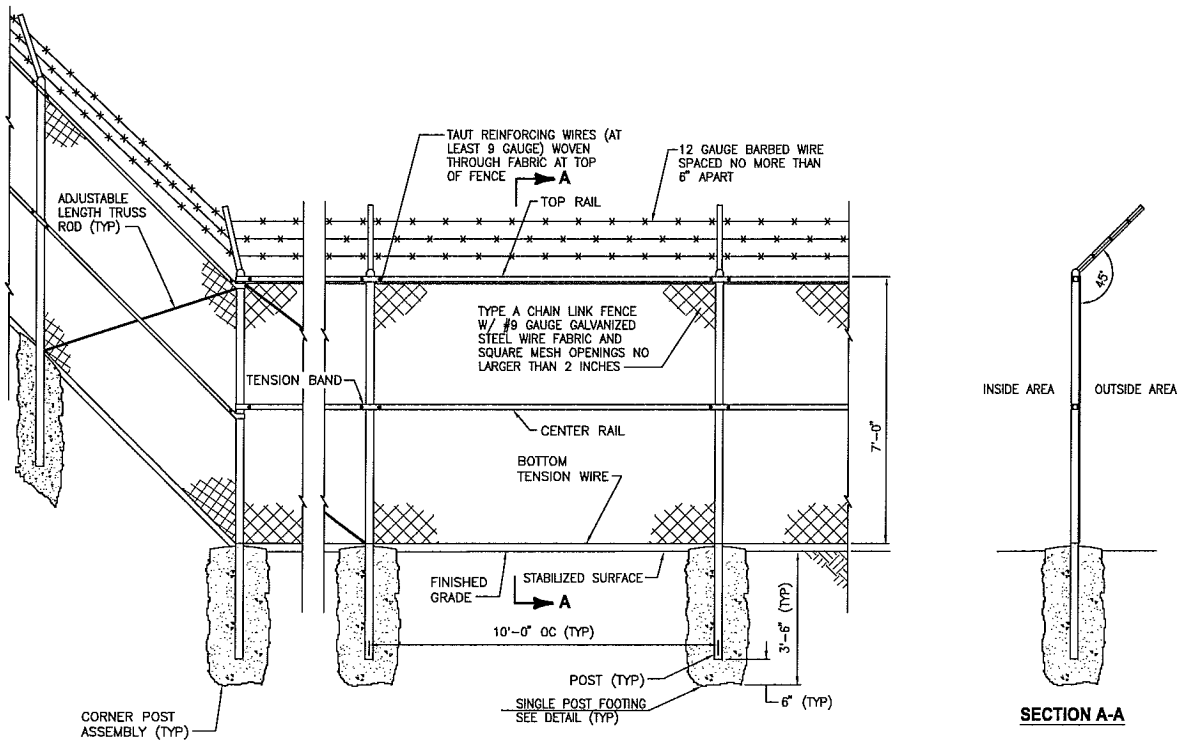
**PS-6
PUMP STATION CONTROL PANEL LEGEND**

Plotted: 4/24/07 8:34am DP/AR



DOUBLE SWING GATE DETAIL

NTS



FENCE DETAIL

NTS

PS-7 CHAINLINK FENCE DETAIL

N:\16810 Putman Co\12501\Figures\Pump Station\1681012501-PS07.dwg